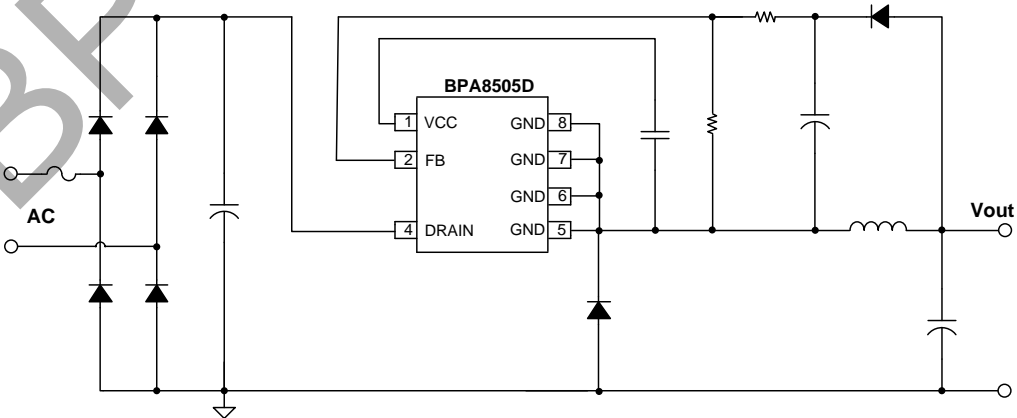
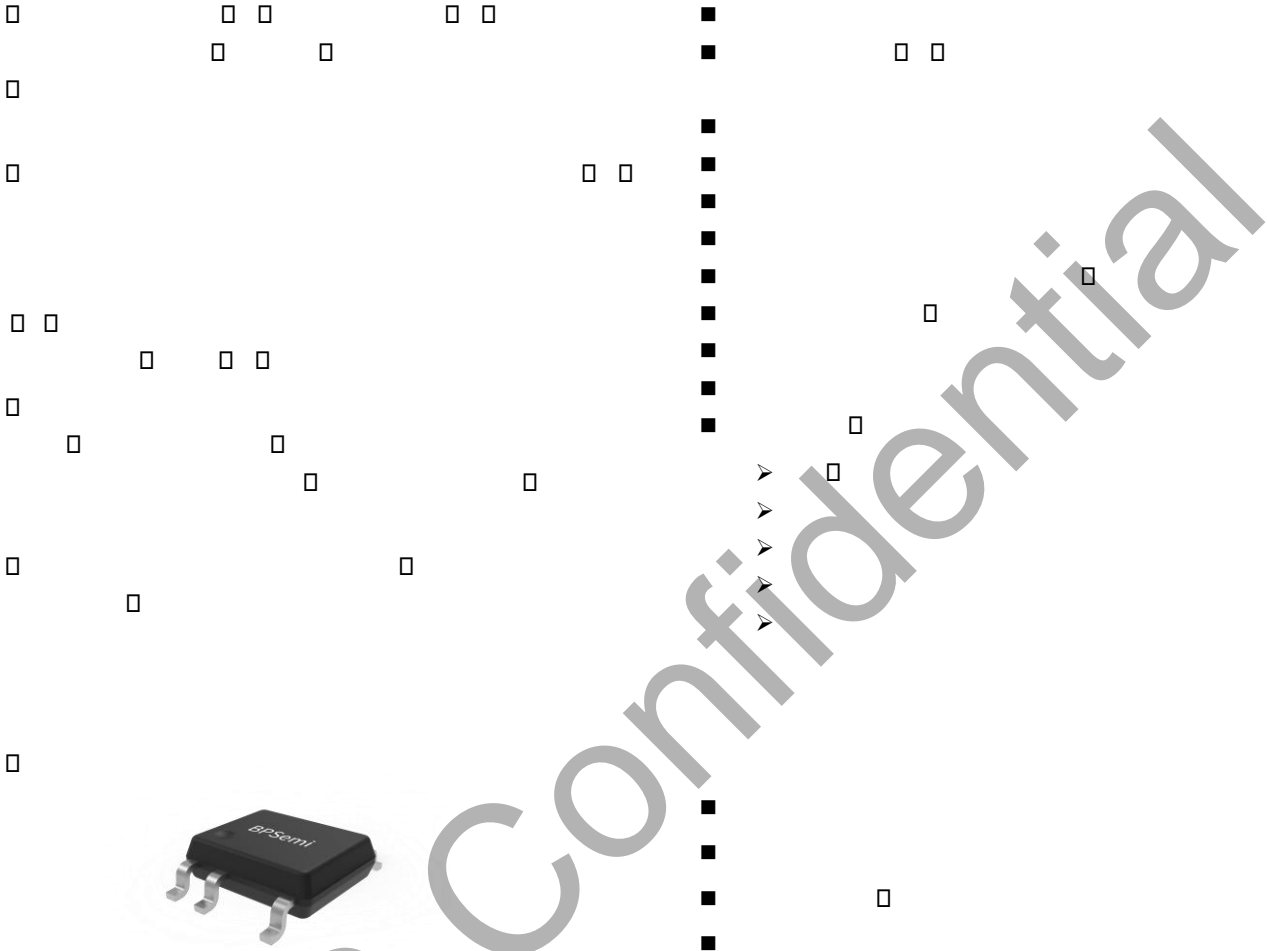
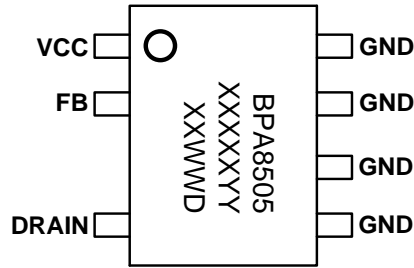


□



□ □

| Part Number | Package | Packing | Marking |
|-------------|---------|---------|---------|
|             |         |         |         |



|  |  |  |  |  |
|--|--|--|--|--|
|  |  |  |  |  |
|  |  |  |  |  |
|  |  |  |  |  |
|  |  |  |  |  |
|  |  |  |  |  |

|  |  |  |  |
|--|--|--|--|
|  |  |  |  |
|  |  |  |  |
|  |  |  |  |

Note 1 □ □ □ □

□

□

□

□